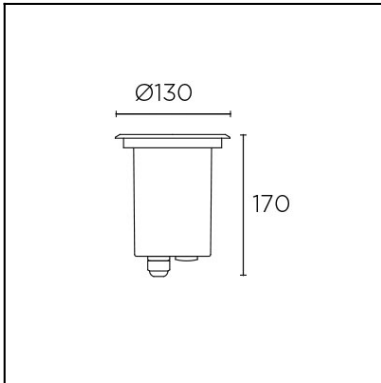


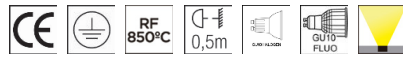


The photograph may not match the reference exactly. Please read the product description to identify the finish.



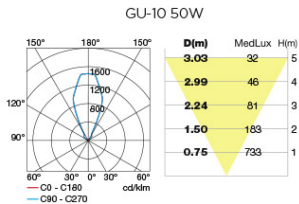
TECHNICAL CHARACTERISTICS

Type:	UPLIGHT RECESSED
IP Protection degrees:	IP67
IK Protection degrees:	IK10
Light source 1:	1 x GU10 MAX 50W Maximum lamp length: 82.00 mm
Voltage / Frequency:	230V/50-60Hz
Warranty (Years):	2
Units per box:	8
Net Weight (Kg):	0.63
EAN:	8435111089156

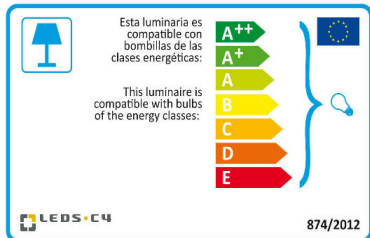


MATERIALS / FINISHES

Structure material:	Stainless steel AISI316 Technopolymer	Diffuser material:	Glass
Structure finish:	Polished	Diffuser finish:	Tempered



Download photometric file .ldt / .ies

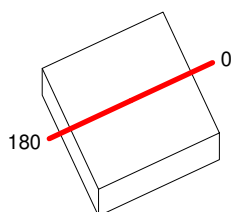


Click on image to download energy label

Luminaire		Measur.		Lamp		
Code	55-9280-Y4	Code	74_03_03	Code	GU10 35W	
Name	GEA	Name	GEA	Number	1	
Line	Eulumdat	Date	29-04-1994	Position		
Efficiency	100.00%	Coordinate system	CG	Total Flux	230.00 lm	
Maximum value	526.70 cd	Position	C=0.00 G=1.00	Rotosymmetrical		
Rectangular Luminaire	Length	125 mm	Width	125 mm	Height	169 mm
Rectangular Luminous Area	Length	100 mm	Width	100 mm	Height	0 mm
Horizontal Luminous Area	0.010000 m2	Emitting area on Plane 180°		0.000000 m2		
Emitting area on Plane 0°	0.000000 m2	Emitting area on Plane 270°		0.000000 m2		
Emitting area on Plane 90°	0.000000 m2	Glare area at 76°		0.002419 m2		
Symmetry Type	Rotosymmetrical	Maximum Gamma Angle		180		
Measurement Distance	0.00	Measurement Flux		230.10 lm		
Operator		Source voltage				
Temperature	25.00 °C	Source current				
Humidity	60.00 %	Photocell				
Notes						

Luminaire Lamps						
Line	Code	Name	Flux [lm]	Pow. [W]	Q.ty	
Eulumdat	GU10 35W	GU10 35W - 50.00 W	230.00	50.00	1	
C.I.E.	82 94 97 100 100	D DIN 5040		A60		
F UTE	1.00 B	B NBN		BZ 1		

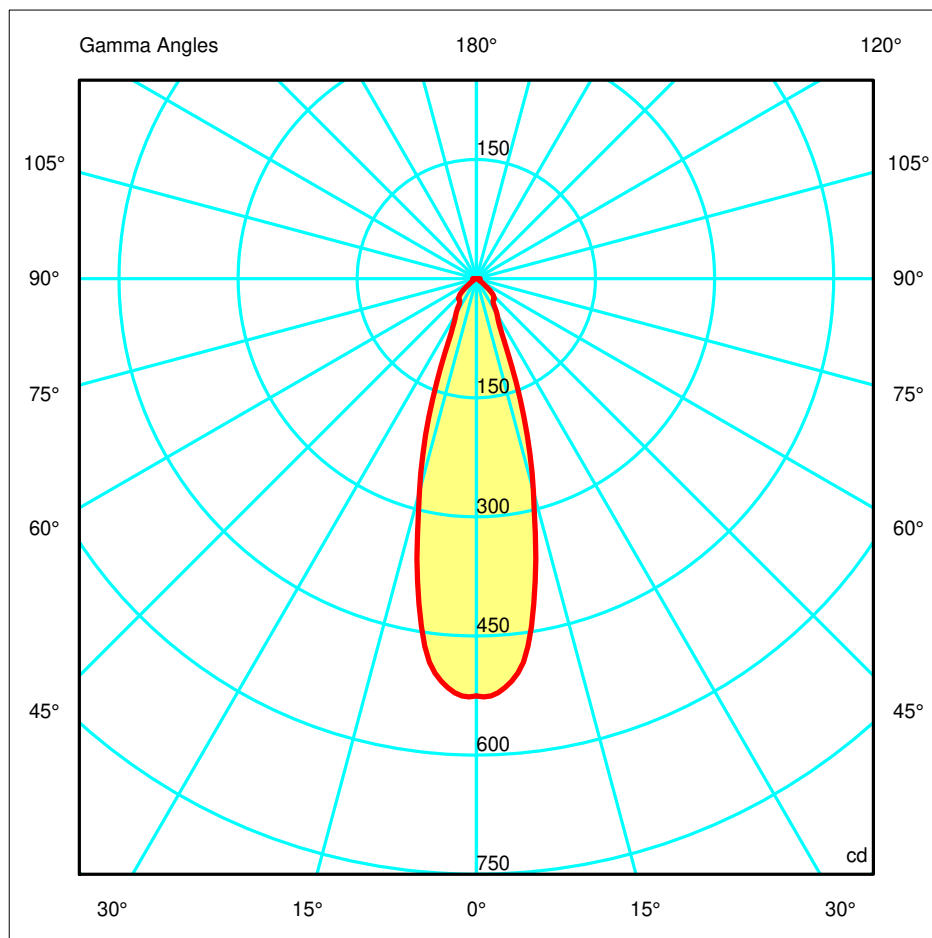
125mm x 125mm

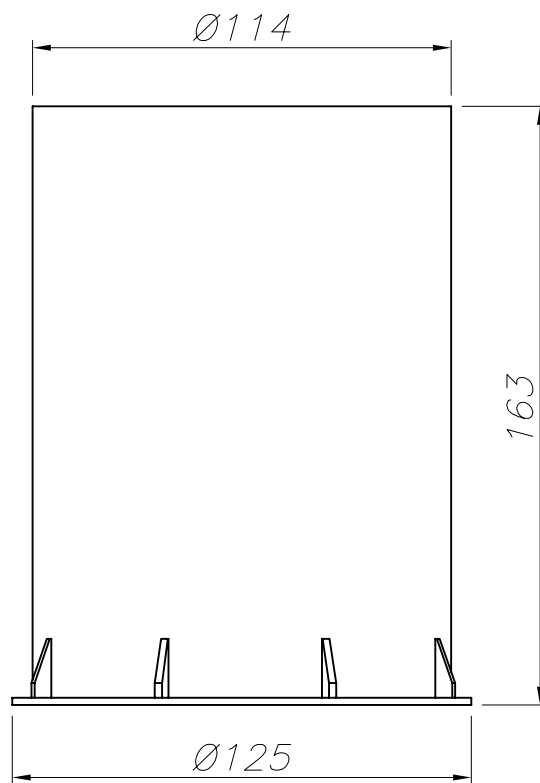
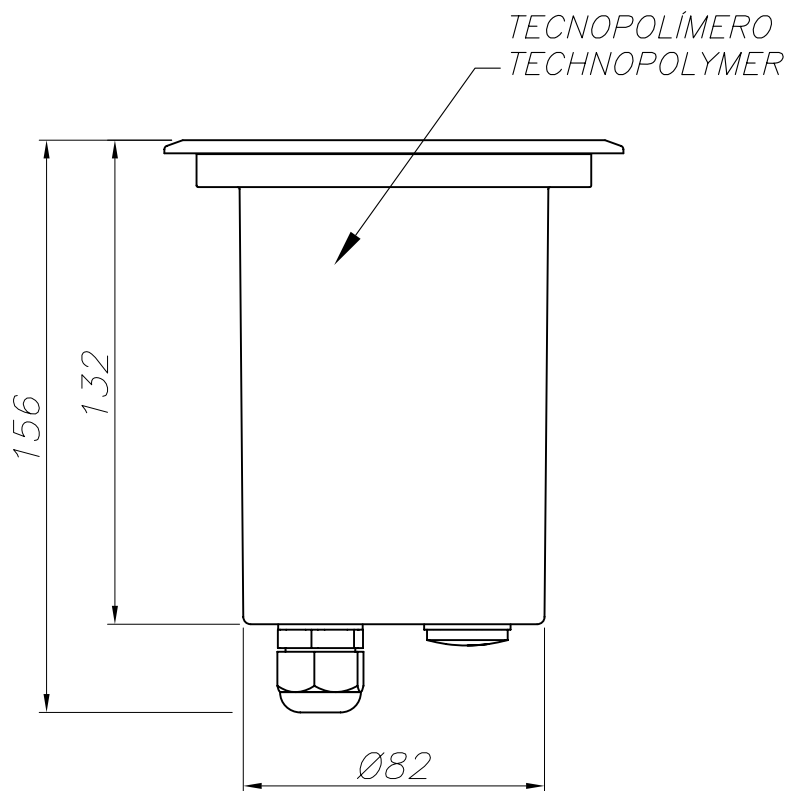


C Halfplanes

180.0 — 0.0

ULOR 0.11 %
DLOR 99.88 %
RN 0.11 %





CAJA DE EMPOTRAR
FLUSH FITTING BOX

